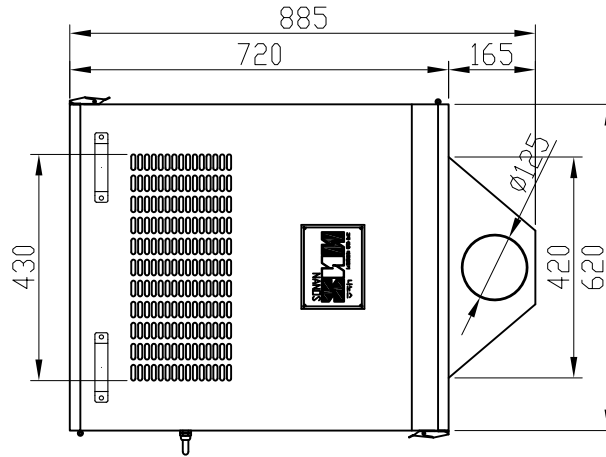


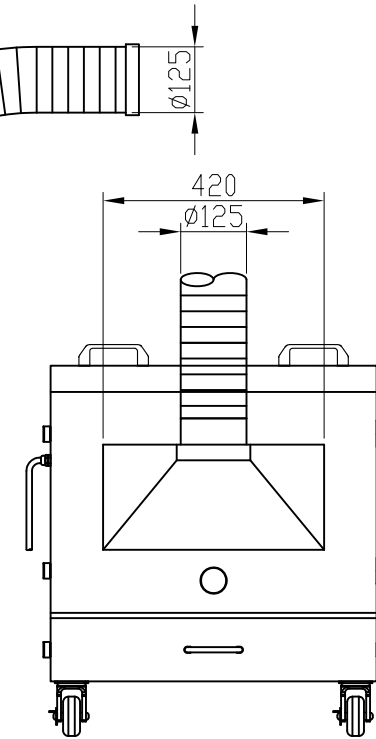
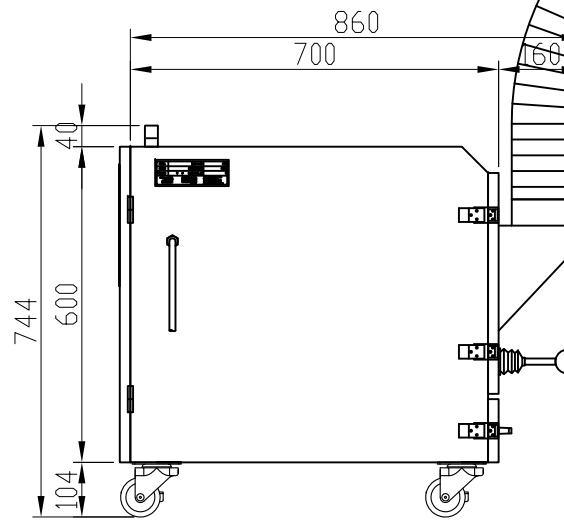
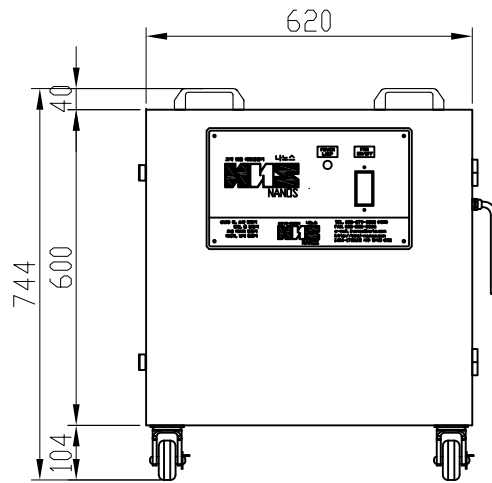
SPECIFICATION			
MODEL NAME	NBM-10	OPTION	-
FAN SPEC.			
FAN DIVISION	TURBO BLOWER		
AIR VOLUME	12 CMM	STATIC	90 mmAq
MOTOR	0.4 kw [ 0.5 HP ]	POWER	220V x 2P
FILTER SPEC.			
1ST	BAG FILTER	MATERIAL	POLYESTER
	SIZE	420 x 300 x 8P	AREA



1	OUTLET	1	PUNCHING PLATE
2	HANDEL	2	-
3	CABINET	1	885 x 600 x 620 x 1.6t
4	CONTROL PANEL	1	CONTROL SWITCH
5	POWER CABLE	1	V.C.T.F CABLE
6	TURBO BLOWER	1	0.4kw x 12CMM x 70mmAq
7	INLET	1	125 1M A형 굴절호스
8	BAG FILTER	1	420 x 300 x 8P
9	SHAKING HANDLE	1	PBI 125 x M10
10	DUST BOX	1	270 x 540 x 60
11	CASTER	4	ROTATION 3' STOPPER

\*\*\* CHECK POINTS \*\*\*

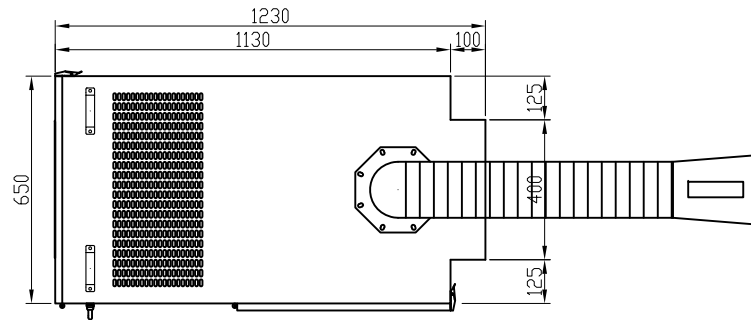
A. ---



\*\*\* PAINT COLOR \*\*\*  
 BODY : EX8816(S) 5Y 7/1  
 DOOR : EX8816-DIC546 1/2

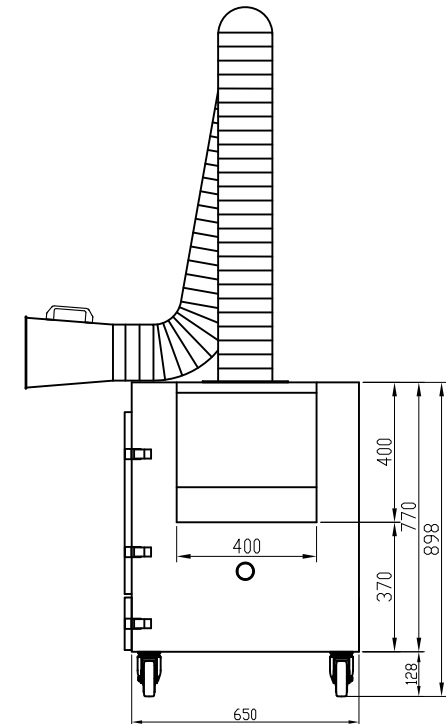
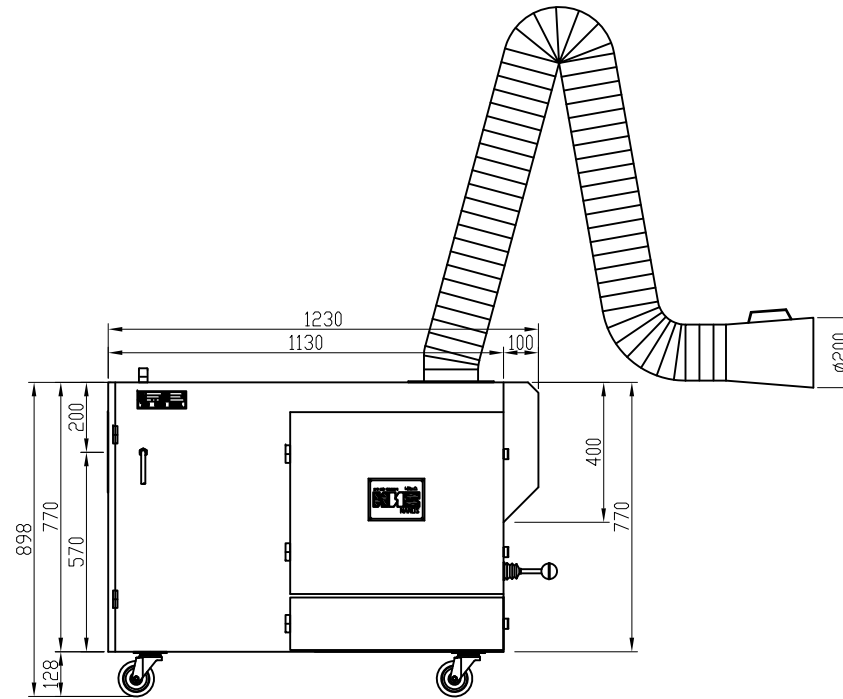
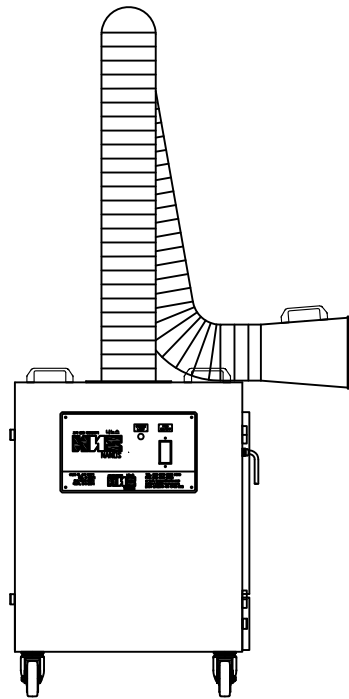
 고객맞춤 대표 장비기 www.nanos.co.kr	SIZE	A3	CUSTOMER	-
	SCALE	1 / 1	TITLE	BAG FILTER MOVING DUST COLLECTOR
	DRAWN	APPROVED	NANOS DWG. NO.	NBM-10
	B.B.M	-		
12.05.18	-			

SPECIFICATION				
MODEL NAME	NBM-20	OPTION	-	
FAN SPEC.				
FAN DIVISION	TURBO BLOWER			
AIR VOLUME	25 CMH	STATIC	230 mmAq	
MOTOR	1.5 kw [ 2 HP ]	POWER	220V x 2P	
FILTER SPEC.				
1ST	BAG FILTER	MATERIAL	POLYESTER	
	SIZE	420 x 400 x 7P x 2EA	AREA	4.7 m <sup>2</sup>



1	OUTLET	1	PUNCHING PLATE
2	HANDEL	2	-
3	CABINET	1	1350 x 770 x 650 x 1.6t
4	CONTROL PANEL	1	CONTROL SWITCH
5	POWER CABLE	1	V.C.T.F CABLE
6	TURBO BLOWER	1	1.5kw x 25CMH x 230mmAq
7	INLET	1	FLEXIBLE ARM 2M
8	BAG FILTER	2	420 x 400 x 7P
9	SHAKING HANDLE	1	PBI Ø40 x M10
10	DUST BOX	1	26.5 LITER
11	CASTER	4	ROTATION 4' STOPPER

\*\*\* CHECK POINTS \*\*\*  
A. ---



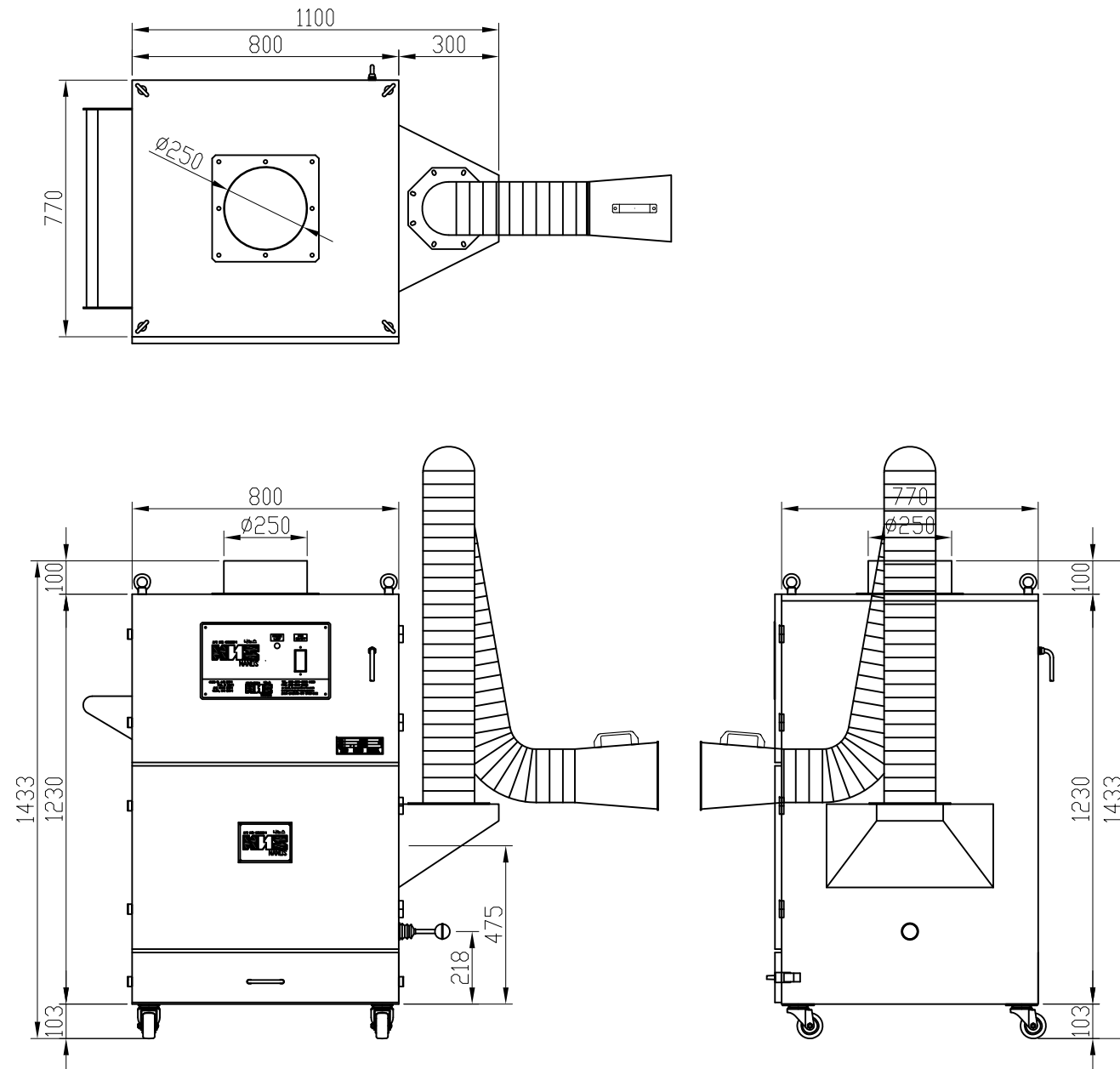
\*\*\* PAINT COLOR \*\*\*  
BODY : EX8816(S) 5Y 7/1  
DOOR : EX8816-DIC546 1/2

 고객맞춤 대표 장비기 www.nanos.co.kr	SIZE	A3	CUSTOMER	-
	SCALE	1 / 1	TITLE	BAG FILTER MOVING DUST COLLECTOR
	DRAWN	APPROVED	NANOS DWG. NO.	NBM-20
	B.B.M	-		
	12.05.18	-		

1	CABINET	1	800 x 770 x 1230 x 1.6t
2	TURBO BLOWER	1	2.2kw x 40CMM x 230mmAq
3	BAG FILTER	1	POLYESTER
4	DUST BOX	1	38 LITER
5	OUTLET FLANGE	1	ø250
6	LIFT LUG	4	I-NUT M12
7	CONTROL PANEL	1	CONTROL SWITCH
8	POWER CABLE	1	V.C.T.F CABLE
9	FLEXIBLE ARM	1	2M
10	SHAKING HANDLE	1	ø38
11	CASTER	4	ROTATION 3° STOPPER

\*\*\* CHECK POINTS \*\*\*

A. ---



SPECIFICATION			
MODEL NAME	NBM-30	OPTION	-
FAN SPEC.			
FAN DIVISION	TURBO BLOWER		
AIR VOLUME	40 CMM	STATIC	230 mmAq
MOTOR	2.2 kw [ 3 HP ]	POWER	380V x 3P
FILTER SPEC.			
1ST	BAG FILTER	MATERIAL	POLYESTER
	SIZE	635 x 420 x 5P x 4EA	AREA

\*\*\* PAINT COLOR \*\*\*  
 BODY : EX8816(S) 5Y 7/1  
 DOOR : EX8816-DIC546 1/2

 고객맞춤 대표 장비기 www.nanos.co.kr	SIZE	A3	CUSTOMER	-
	SCALE	1 / 1	TITLE	BAG FILTER MOVING DUST COLLECTOR
	DRAWN	APPROVED	NANOS DWG. NO.	NBM-30
	B.BM	-		
13.05.09	-			